

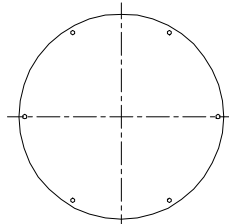
PUMP INFORMATION

- Type: Sump Pump(s)
 Grinder Pump(s)
 Non-Clog Pump(s)

Model NO: _____
 Rating: _____ GPM _____ TDH
 Motor: _____ HP _____ RPM
 Elec: _____ PH _____ HZ _____ v
 Elec: _____ FL AMPS

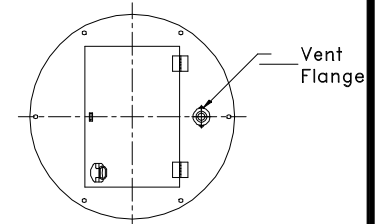
DISCHARGE PIPE

- 3" 304 Stainless Steel
 3" Sch40 Galvanized Steel
 3" Sch80 PVC Pipe



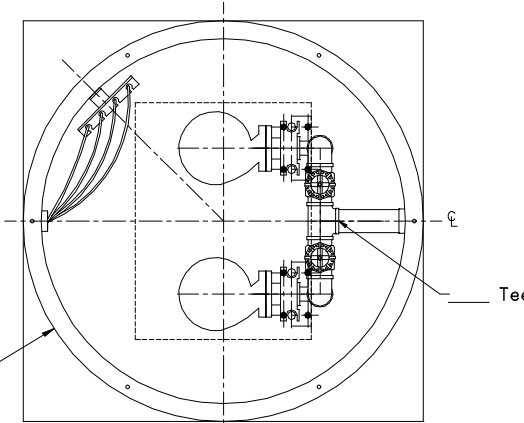
Solid Cover

- Fiberglass
 Steel



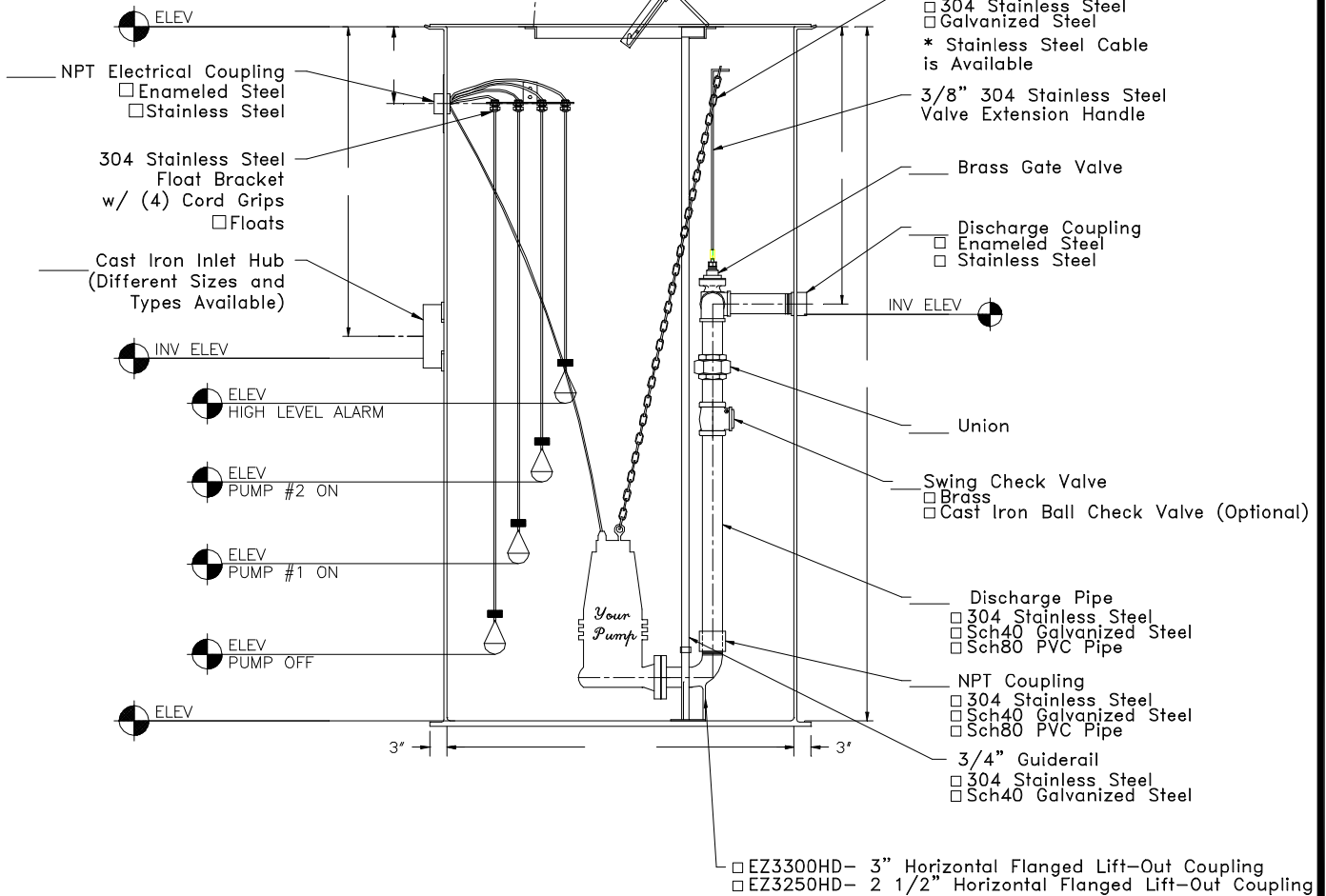
Hinged and Lockable Cover

- Fiberglass Aluminum Steel



- Anti-Floatation Flange
 Fiberglass Encapsulated
 ASTM A-36 Steel
 Round Fiberglass
 None

- 3/16" Lifting Chain
 304 Stainless Steel
 Galvanized Steel
 * Stainless Steel Cable is Available
 3/8" 304 Stainless Steel Valve Extension Handle



- NPT Electrical Coupling
 Enameled Steel
 Stainless Steel

- 304 Stainless Steel Float Bracket w/ (4) Cord Grips
 Floats

Cast Iron Inlet Hub (Different Sizes and Types Available)

INV ELEV
 ELEV HIGH LEVEL ALARM

ELEV PUMP #2 ON

ELEV PUMP #1 ON

ELEV PUMP OFF

ELEV

- Brass Gate Valve
 Discharge Coupling
 Enameled Steel
 Stainless Steel

Union

- Swing Check Valve
 Brass
 Cast Iron Ball Check Valve (Optional)

- Discharge Pipe
 304 Stainless Steel
 Sch40 Galvanized Steel
 Sch80 PVC Pipe

- NPT Coupling
 304 Stainless Steel
 Sch40 Galvanized Steel
 Sch80 PVC Pipe

- 3/4" Guiderail
 304 Stainless Steel
 Sch40 Galvanized Steel

- EZ3300HD- 3" Horizontal Flanged Lift-Out Coupling
 EZ3250HD- 2 1/2" Horizontal Flanged Lift-Out Coupling



EZ-Out Prefabricated Fiberglass Lift Station
 Duplex-EZ3300HD-EZ3250HD Side Discharge

Highway 25 North P.O. Box 420
 Rochester, IN 46975
 Phone: 800/354-4594 Fax: 574/223-6106

Scale: None
 Drawn By: KM
 App'd By: .
 Date: 04/21/03

Supersedes Prints Prior To: 04/21/03

This print is and contains confidential proprietary information owned exclusively by TOPP INDUSTRIES, INC. It is furnished on a strictly confidential basis. This restriction includes, but is not limited to the condition that this print will not be used as a record or to identify or inspect parts or for other information purposes and will not be used to manufacture or procure the manufacture of the items shown in this print by any other source than TOPP INDUSTRIES, INC.

Reference No: 16759

Revisions

A	First Released.